



DOORS WITH DIFFERENCE

WOODWISER 
The right choice!

Wood - One of the most used natural material for construction in the world. Its special properties such as impressive aesthetic value, high strength, small bulk density, low heat conductivity, relatively ease of mechanical working etc. makes one of the most versatile materials for construction and interiors.

Woodwiser a brand associated with a new manufacturing activity based in West Bengal. It has a deep knowledge of the Timber as a basic raw material for manufacturing. Our focus is to create product range of wood based products such as Furniture, Doors and Door frames, Flooring, Wall panels and many such related activities. We like to give the technological push to the wood processing facilities with keen interest in design and mass manufacturing of market driven products. We maintain a personal touch with the end user and every order we receive is treated with utmost respect and care to provide that special touch!

Contact us to share your ideas & requirements in solid wood doors and frames

The Order Process

**Item
Selection**



**Order
Confirmation**



**Manufacturing
at Plant (3 weeks)**



**Transit Time
(4-8 days)**



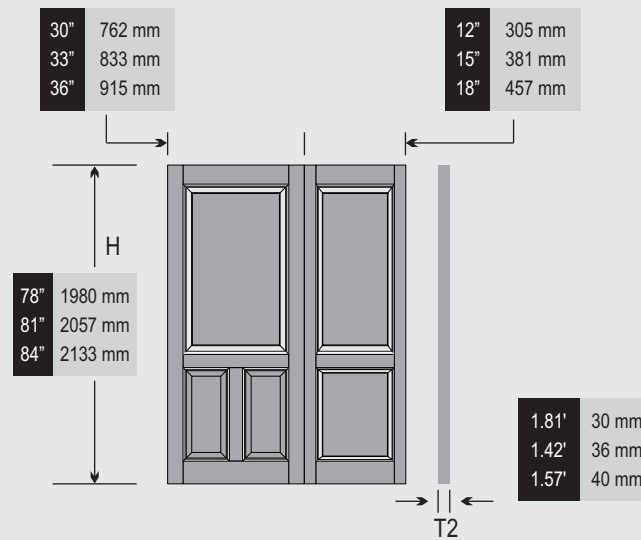
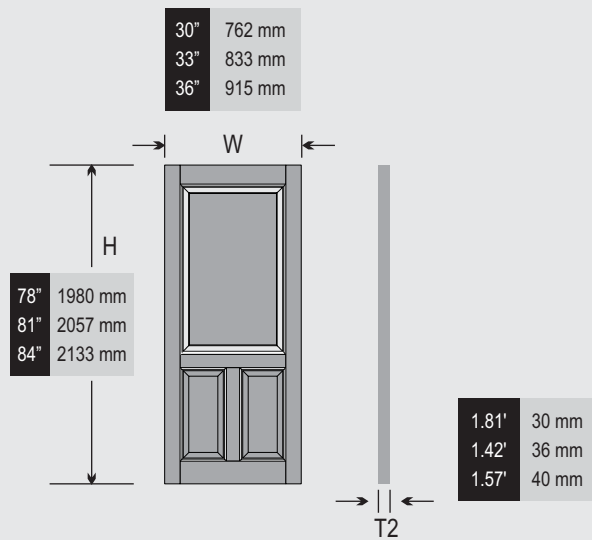
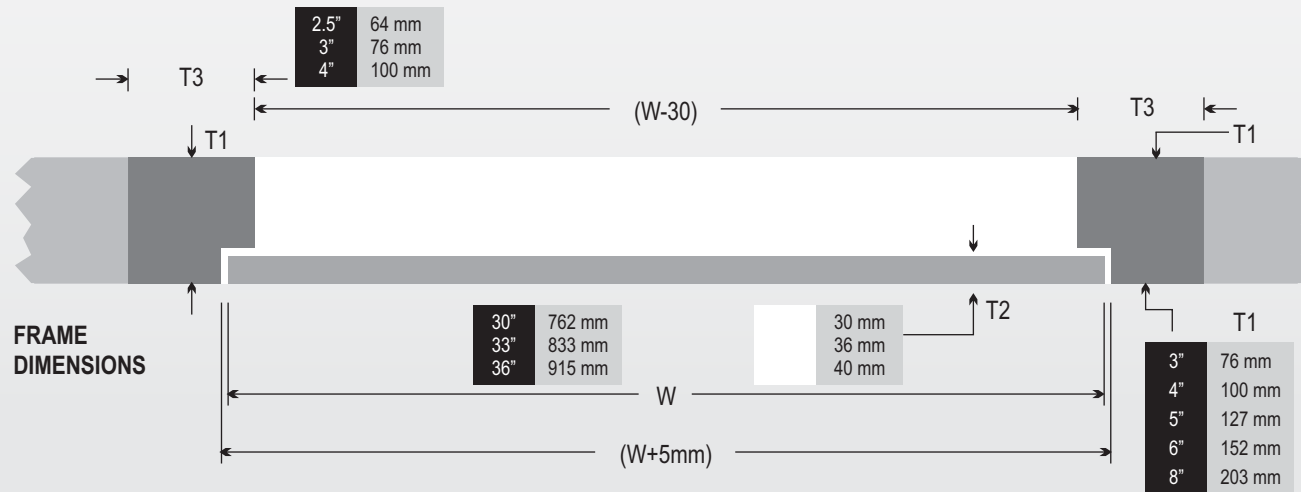
**Installation
at Site**

The company offers variety of designs to suit any style of home, whether it is modern or traditional home. We appreciate that not every home has standard features and the user wants his requirements are respected and fulfilled as per their needs in terms of measurements, shape, color and finishes to match their taste. Our manufacturing facility is meant to provide perfect solution to support such requirements – all at reasonable mass manufactured prices.

The steps involved in procurement of the Doors and Frames is simplified in few user friendly steps operated in the convenient web based platform. You select the desired items from the available options, or provide your own customized design details for us to evaluate and provide a quote. Upon confirmation, we need Three weeks time to manufacture the goods and supply to you directly at your location with transit time of One week. We help you to install the doors with proper guidance and care.

DOOR & DOOR FRAME DIMENSIONS

(STANDARD OPTIONS)



NOTE:
 All dimensions mentioned are for Preseasoned wood. Some variations in dimensions are possible post seasoning.

WE OFFER SPECIALLY DESIGNED DOORS AND FRAMES AS PER BUYERS REQUIREMENTS



WHY CHOOSE WOODWISER?

International vision and unique designs make each of our door combine quality with design requirements, harmonizing perfectly in all residential settings and large contract interior works worldwide. Our commitment to produce world class doors and frames with exceptional resources in design and production flexibility makes us stand out from all other door manufactures.

Most manufacturing process is done on automated equipment and mechanized lines to get consistent and quality output at every stage. The Human intervention in manufacturing is kept at minimum. This mechanization helps us to maintain competitive prices at every level. Providing consistent quality and durable products at competitive price is our strength.

Our efficient spray booth system has many options to fully finish your doors in any finishes as you desire. We will provide you different options achieved by imported automated multi gun spray system to achieve unmatched finishing of the doors and frames. We achieve excellent finishes such as Matt, Semi gloss, High gloss and Super gloss as our entire spray activity done in dust free environment and uses Automatic spray and curing systems.



Woodwiser offers

Wide range of design options and features

Proper seasoning of the wood

Superior structural details

Consistent quality & durability

Use of authentic wood species

Long lasting service facilities

Manufactured using modern automatic machines



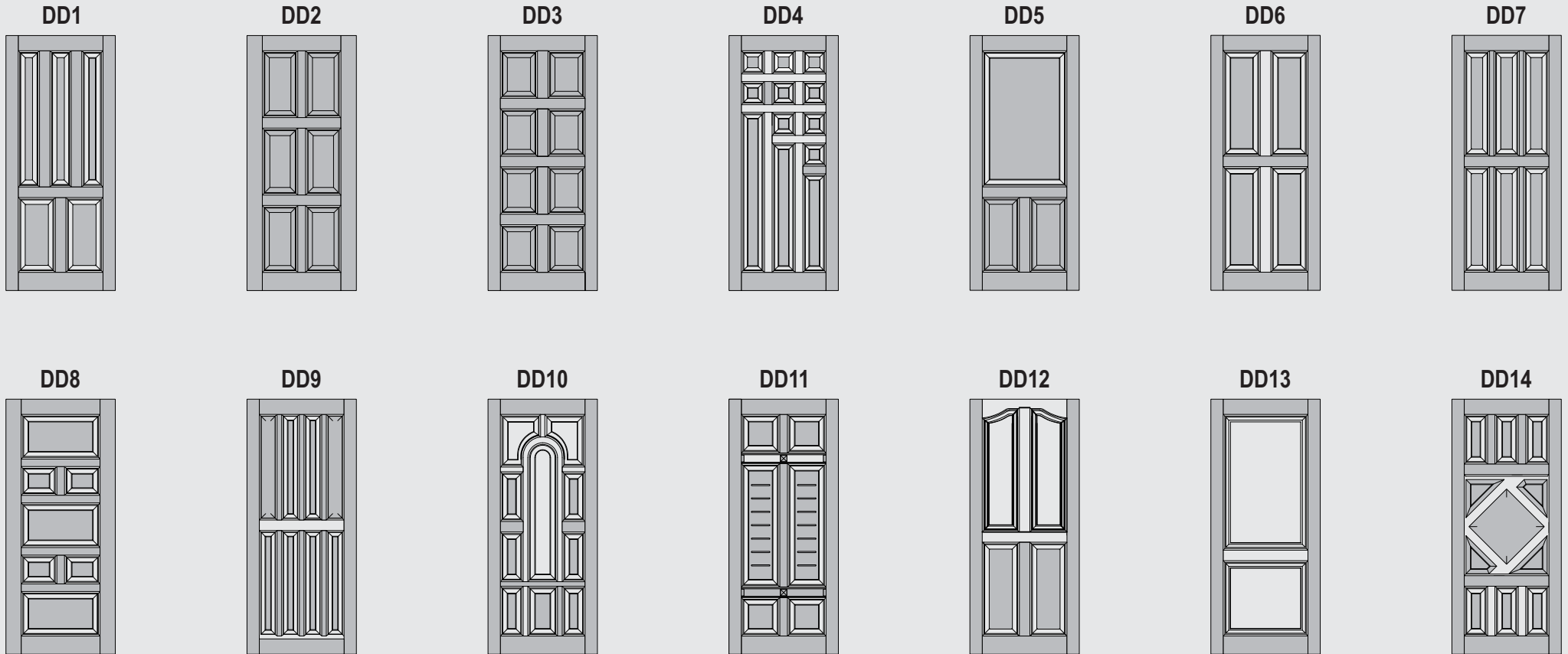


We offer wide range of designer doors and frames to suit your taste. Check our standard design catalog to make your choice. If you have a fresh idea or a new design in your mind and if you wish to make it a reality, come to Woodwiser and you will not be disappointed. With usual lead times between 2-3 weeks, we will guarantee you a suitable solution for all your needs and requirements.



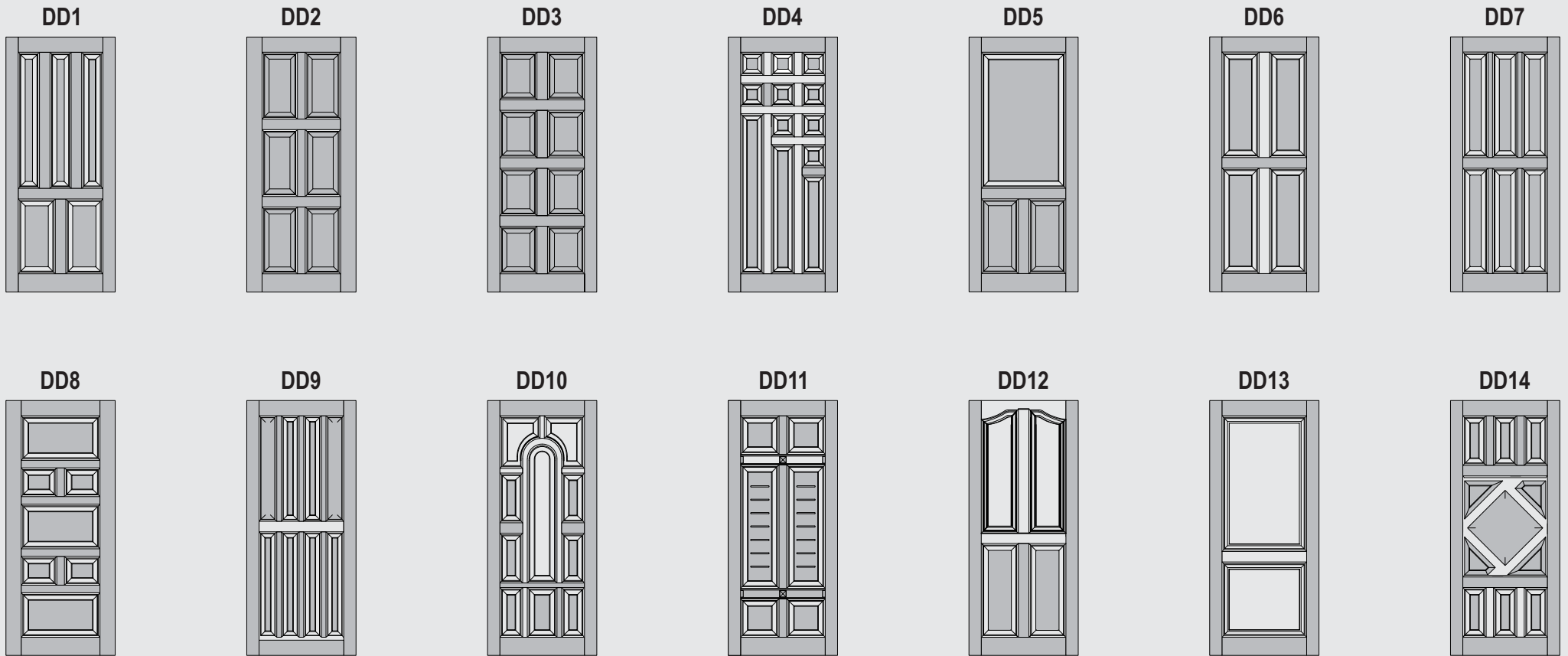
The company offers quick & easy solutions for your special door & door frame requirements. Contact us to get more information on our capabilities and resources. If you're looking for something not mentioned in this catalogue, contact us to discuss your requirements - our friendly team will respond to you quickly.

STANDARD DOOR DESIGNS TO CHOOSE FROM



Our doors and frames are meant to provide good quality and fine craftsmanship. They are available in wide variety of configurations, colors, finishes. More than 40 standard door designs are available as standard offering.

CHOOSE ANY OF THE DESIGNS MENTIONED OR CONTACT US FOR SPECIAL REQUIREMENTS IN DOORS AND FRAMES



These are some of the typical door designs available to choose from. New designs and features get added in our design data bank on regular basis. Feel free to ask for the same. We supply user specified /customized designs as well based on the requirements from the end users. We believe in providing complete solutions for doors and frames including matching Hardware for any residential project.

DECOSTRIPS & HARDWARE ACCESSORIES

Decorative cover strips with Matching color and shades is possible using our Decostrip to cover the unwanted areas or even mount on pre installed frames to match with the existing doors. We will provide necessary help in suggesting refurbishing/replacement of existing doors with easy to change options using our Decostrips.

In every Woodwiser door, you will see a combination of creative skills of designers and carpenters, supported by a world class manufacturing process with a Woodcentric approach. No wonder our company tagline signifies the point that we adopt a wiser way of using Wood - a material in its natural state. This is why Woodwiser doors are created from a careful selection of the best types of woods Accessories used in the Supplies.



Handles



Hinges



Door Closures



Lever Handles



**Combination
Handles**



Door Locks



Rotary Locks



Magic Eyes

To provide complete door and frame solution, we tied up with reputed hardware brands such as Hafele and Hettiche (German Brands) to provide complete solution with inbuilt features to use their standard hardware.

This will make your life easier and reduce the installation time at the site.

HARDWARE IN ASSOCIATION WITH

HÄFELE

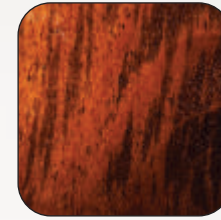
Hettich

We will provide you solutions for all types of doors, be it Internal or External, Modern or traditional, Varnished or Painted, Plain or Crafted - Anything you require, we will make it happen. Contact us to discuss your requirements and share your thoughts with our team!

Color and finishes available.



STANDARD FINISHES TO CHOOSE...



Oak



Teak



White



Tobacco



Wenge



Honey



Grey



Walnut



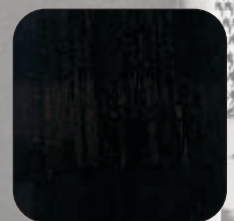
Mahogany



Brown



Rose Wood



Black



All pictures are for illustration purposes. Colours, product dimensions, specifications as well as designs are subject to change without prior notice. Colours shown here may differ from the actual product.

68C, Narkeldanga Main Road

Kolkata 700 054

Tel : 033 9073650640

Email : kol@kbcon.in

Web : www.woodwiser.com

WOODWISER 

The right choice!